

To be presented at Committee
meeting scheduled for 7/10/18



Roberts Field Advisory Committee
July 10, 2018 Meeting

7/10/18

Meeting Agenda

- Public Input
- Elect Committee Chair, Clerk (Vice Chair)
- Grand Opening Recap
- New Playground Project Update and Discussion
 - DPW Update
 - “Natural Play Area” Design Discussion
 - Playground Signage Plan Update
 - Playground Elements
- Fundraising Update & Discussion
- Upcoming Committee Meeting Schedule
- Meeting Minutes Approval
- Adjourn



Grand Opening June 30th



Playground Project Updates

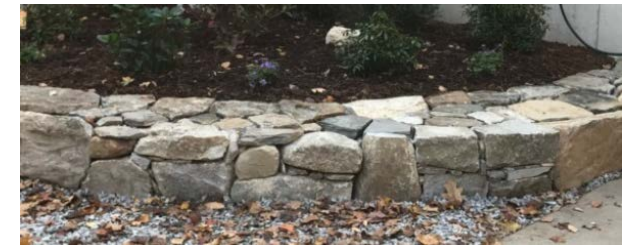
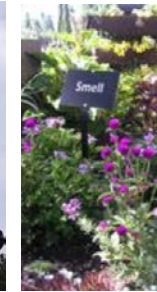
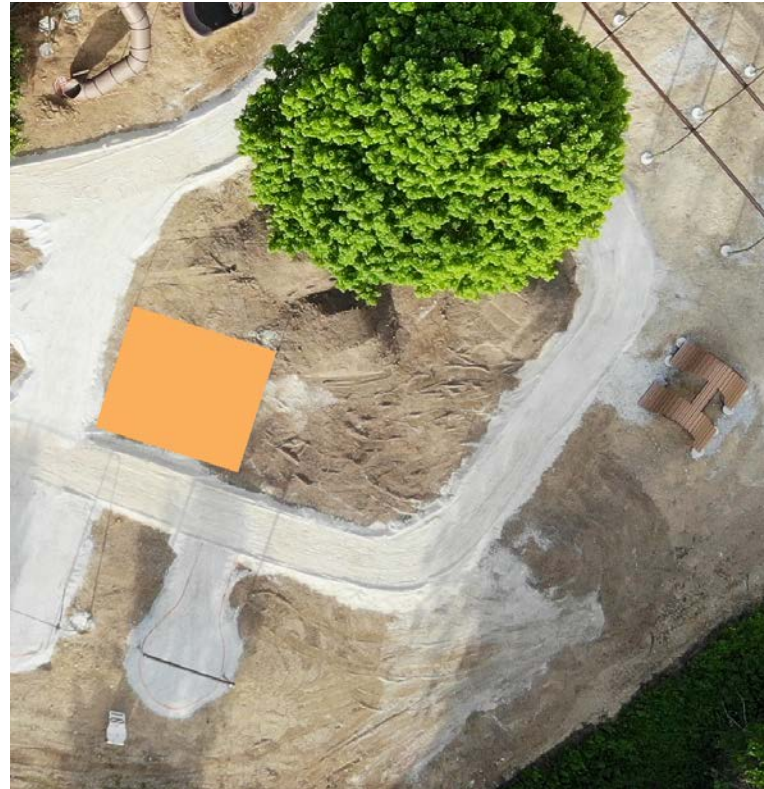
- Updates From Steve Jahnle, DPW
 - Shade structure installation timing **Shade structure is supposed to arrive the week of July 30. Should be installed shortly thereafter.**
 - New metal tables and benches installation timing **They are arriving this week, same install as shade structure.**
 - Fence (and gates) installation timing **After the shade structure**
 - Using water spigot from DPW garage to water trees (we will provide the hoses) **We don't typically give out the key to the spigots and outdoor watering rules would apply.**
 - Cost of new PIP area and earliest installation date **Working on a price**
 - Cost of engraved brick pathway installation and blank pavers **As I said before I don't have all the bills yet**
 - How many bike racks do you have in house (like the one set installed near the upper parking lot)? **As I said , we have 1**
 - Are the metal legs for the wood and metal bench ready for pick up by the volunteer who is redoing it (Stephanie Lanzillo – Lupien granddaughter) **Nope, need to bend one a little to make a set.**
 - Do you have an updated budget **Nope**
- Other Updates
 - Engraved Bricks
 - Playground Trees



Natural Play Area Design Concept Elements

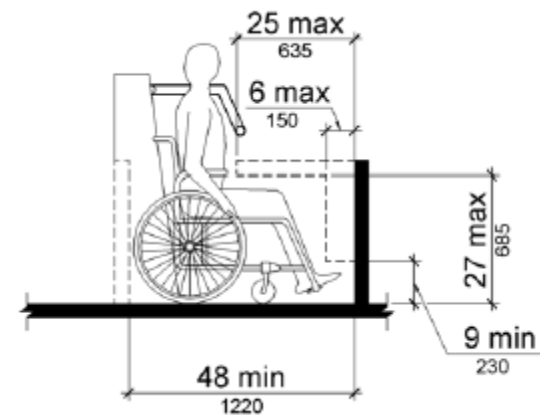
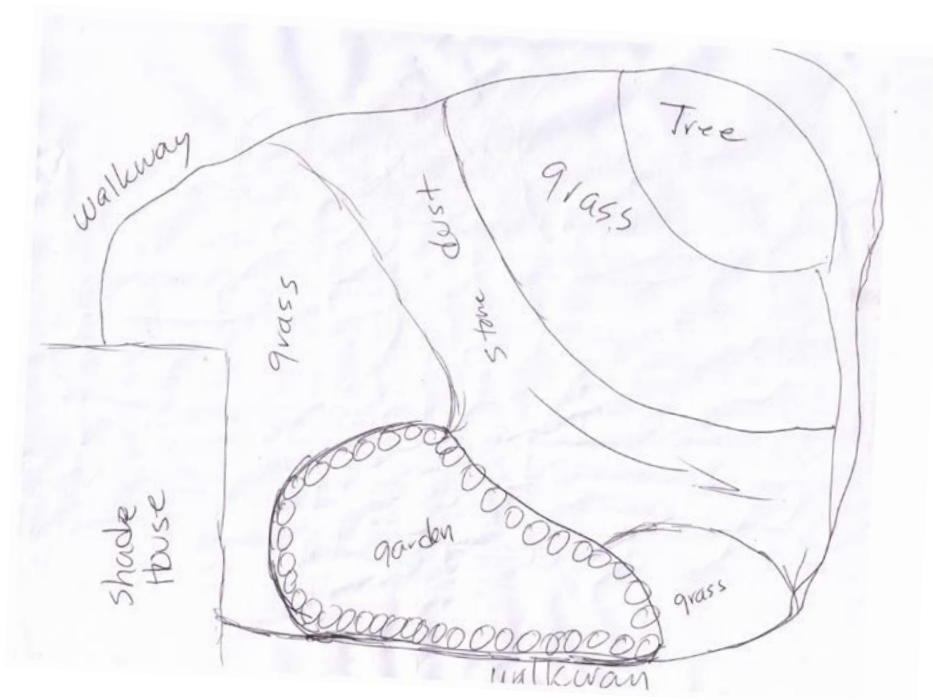


- Climbing Rocks (12)
- Organically Shaped Raised Garden Bed
 - 15' diameter center garden with 24" tall glacier tilled stone wall (50' circumference)
 - Sensory plants (community donations)
 - Metal kinetic wind sculpture
- Hardscape Pathways
 - Natural hardscape (gravel, stone, pebbles)
 - Sensory segment (NASCO Animal Tracks)
- Tree safe zone
- Shade garden under tree
- Satellite Butterfly Garden
 - Purchased and donated plants
 - 20" Gazing Ball
- Grassy Meadow
- Stone Benches (3)
- Sign "Living With Wildlife"
- Shade Structure



Earthscape and Lawn

- Path connection to shade structure?
- Maximum garden wall height?
- Location of cast animal tracks?



Natural Climbing Area Stones

- Earthscape and Lawn
 - Sept/Oct delivery and installation
 - Two large climbing stones
 - Roughly 42" tall x 40+" wide
 - Five to seven other stones
 - Roughly 24" – 12" tall x 12"-20" wide



Natural Climbing Area Fall Safe Zones

- **ASTM Standard Consumer Safety Performance Spec for Playground Equipment for Public Use**
- Section 9. Playground Layout
- 9.2.2.1 – The direct distance between stepping surfaces on two functionally linked play structure shall not be greater than 12 inches for 2-5 year olds and 18 inches for 5-12 year olds. This dimension shall be measured edge to edge between the adjacent stepping surfaces.
- 9.2.1 – The use zone for stationary play equipment shall extend no less than 72 inches from all sides of the play structure (9.2.2 The use zones for two or more stationary play structures that are not physically attached but are play-functionally linked shall be determined as if the separate equipment were parts of a composite play structure).

Playground Signage Update



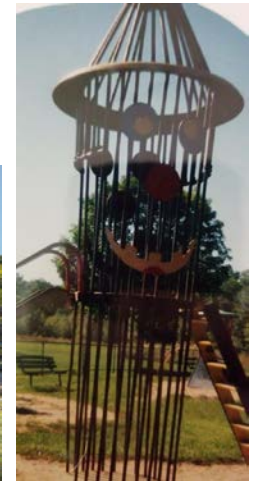
History of Friendship Park

Roberts Field was originally farmland, and in the late 1960's the Town of Chelmsford purchased the property known as "Roberts' Land at Old Westford" to build a school. The school was ultimately located elsewhere, and a 1970 Special Town Meeting voted to build a fire station on the property and designated the remaining area for recreational purposes.

In 1973 the Parents' Association for Recreation for Children (PARC) gifted the Town with the first playground at Roberts Field. The metal playground was paid for by donations from Chelmsford businesses and featured a tall witch themed structure with slides, climbing dome and swings.

In 1995, a new playground, upper parking lot and brick pathway were built. The volunteer group Friends of the Park worked with the Town of Chelmsford to build the new playground. It featured large wooden, steel and plastic play structures, slides, swings, climbing areas, a sandbox and wooden car. The original engraved brick pathway and stone marker feature the names of donors and supporters of the playground. The playground was named through a community contest where eight-year old Lisa won with the name "Friendship Park". She chose this name because she felt the playground would be a great place for kids to make friends.

The 2017 Fall Town Meeting approved the use of Community Preservation Funds to rebuild a new Friendship Park. The Friends of Roberts Field were charged with fundraising and the Roberts Field Advisory Committee led a community-driven design and build effort to create a playground that is accessible for all. In 2018, the new inclusive designed Friendship Park playground opened. This new playground was once again created through a partnership among the residents, local businesses, and the Town of Chelmsford. In keeping with tradition, an engraved brick pathway and stone marker feature the name of donors and supporters of the new Friendship Park.



Also on the History Sign

Scout Project Callout:

Over the years, many Girl Scouts and Boy Scouts volunteer projects have shaped and improved Roberts Field and Friendship Park. We appreciate their contributions and encourage you to explore scouting today!

<u>Scout Project</u>	<u>Scout Name</u>	<u>Date</u>
Original Playground Entryway	Kevin Ready, Eagle Scout – Troop 77	1995
Linden Tree Planting	Girl Scouts – Troop 109	1995
Skaters Pavilion	Joe Ready, Eagle Scout – Troop 77	1997
Pollinator Park Roadside Fence	Jimmy Lyons, Eagle Scout – Troop 70	2010
Princeton Elm Tree Planting	Cub Scouts Pack 107	2010
Roberts Field Exercise Circuit	Orion Paul, Eagle Scout - Troop 70	2012
Roberts Field Soccer Bleachers	Rob Massey, Eagle Scout – Troop 74	2012
Natural Playground	Isabelle Clark & Rachel McGinn, Silver Award –Troop 66139	2014
Skating Shed	Girl Scouts Silver Award, Troop 60638	2013
Nature Walking Trail Bridges	Joey Rossano, Eagle Scout – Troop 74	2015
Nature Walking Trail Boardwalks	Kenny Carr, Eagle Scout, Troop 77	2016
Wildlife Nesting Boxes and Signage	Miles Plunkett, Eagle Scout – Troop 77	2018
Friendship Park Buddy Bench	Girl Scouts – Troop 62358	2018

Friends of Roberts Field Callout with logo:

The Friends of Roberts Field is a non-profit volunteer organization founded in 2013 committed to enhancing and protecting Roberts Field and Friendship Park playground for the enjoyment of everyone. Please join us! For more information, please visit www.friendsofrobertsfield.org.

Le Masurier Granite

- Granite Benches
 - Four week turnaround
 - Sizes: 4', 5' or 6' long rectangular sawed granite slabs
 - 4' - \$380 each,
 - Recessed area for memorial plaque

Roberts Field Advisory Committee Design and Construction Milestones

Timing (2018)	Project Milestones
January 29 - Monday	BOS Meeting: Award Contract – <i>BOS/Town Manager Approval</i>
Feb 6 – Tuesday 10am	Playground Design Working Session (DPW, RFAC, O’Brien and Sons)
Feb 27 – Tuesday 6pm	Public Input Session
March 9 - Friday	Finalize Playground Design - <i>Town Manager Approval</i>
March 16 - Friday	Purchase New Equipment (4-6 weeks delivery)
May 6th	End Carved Brick Fundraising Campaign
May - Month	Site Prep
May 10 - 14	Equipment Delivery
June 2 & 3 – Sat/Sun	Community Build
Week of June 18	PIP in place, Pathways installed
Week of June 25	Entryway and Sign Kiosk installed
June 30, 2018 - Saturday	Playground Grand Opening
July/August	Fences Installed
	Metal Benches and Tables Installed
	New PIP Area Installed
Sept/Oct	Rock Wall Garden Installed
7/10/2018	

Budget Estimate

Town of Chelmsford			
Friendship Park at Roberts Field			
Construction Budget			
6/13/2018			
DPW Budget (Prepared by: Steve Jahnle, Assistant Director Chelmsford DPW)			
Shade Structure	\$ 10,199		not installed
Wood chips	\$ 8,500		not installed
Border	\$ 11,000		not installed
tables	\$ 1,300		not installed
benches	\$ 1,500		not installed
abutter screening	\$ 5,000		est
perimeter fence	\$ 15,000		est
walkways	\$ 12,000		est
O'Brien	\$ 381,160		equipment/partial install/PIP
	<u>\$ 445,659</u>		
Not Budgeted (Prepared by Roberts Field Advisory Committee)			
Covered Bridge Entryway	\$ 6,800	Spruce, cedar and pressure treated and sign	Volunteer install
Natural Play Area	\$ 20,000	pathway, edging, plants	Volunteer install
Center Garden Wall & Dirt	\$ 6,000	Wall=\$5600, Dirt=\$400	Sponsor install
Climbing Rocks & Benches	TBD		DPW install
Engraved Brick Pathway	\$ 25,000	estimated cost	DPW install
Signage			
Signage Kiosk	\$ 3,000	Sign/seat/bulletin board	Volunteer install
Donor Rock and Plaque	\$ 2,000	2'10"x2'4" plaque on 26 cu yd stone	Volunteer install
Natural Play Area	\$ 300	3' x 4' double sided sign on posts	Volunteer install
Five Senses Garden	\$ 100	5x mini signs in garden circle	Volunteer install
Nature Trail Scavenger Hunt	\$ 250	5x nature learning signs on trail	Volunteer install
Metal Kinetic Wind Sculptur	\$ 500	Materials for sculpture	Volunteer install
Buddy Bench	\$ -	Girls Scouts buidling and funding	Volunteer paid and install
Two Sandbox Diggers	\$ 1,843		Volunteer install
Original Picnic Table Rehab	TBD		DPW install
Original Bench Rehab	TBD		DPW install
	<u>\$ 65,793</u>		

Fundraising Update & Discussion

- Fundraising will continue through April 2019
 - Town's Fiscal Year 2019 ends in June

Friendship Park				
Fundraising Recap				
6/14/2018				
Campaign	Amount			
Brick Campaign	\$ 29,611.65		(\$49.3k sold)	
Sponsorships				
Equipment	\$ 10,080.00			
Premier	\$ 24,000.00			
Go Fund Me	\$ 126.00			
Restaurants	\$ 128.98			
Merchandise	\$ 111.80			
Existing*	\$ 8,042.00			
Grants	\$ 2,500.00			
Total Proceeds	\$ 74,600.43			
Total In Kind	\$ 9,000.00			
Total	\$ 83,600.43			
*\$2500 KDK Silver Sponsorship in Premier Sponsorship amount.				
*\$2000 Chelmsford PAL in Equipment Sponsorship				

Our Sponsors

Donation	Sponsorship		Amount	Company
	Premier	Silver	\$ 2,500	DrumHill Pediatrics
	Equipment	TBD	\$ 1,000	The Brown Family
	Equipment	Belt Bridge	\$ 1,405	Aces Aquatics
	Premier	Silver	\$ 2,500	The Beary Family
	Premier	Bronze	\$ 500	The Singam Family
	Equipment	TBD	\$ 2,000	The Jefferson Family
In-Kind	Equipment	Covered Bridge Entryway	\$ 6,000	Heritage Construction
In-Kind	Equipment	Sign Kiosk	\$ 3,000	Heritage Construction
	Equipment	TBD	\$ 650	Enterprise Bank
	Premier	Gold	\$ 5,000	The Gilchrist Family
	Premier	Silver	\$ 2,500	The KDK Memorial Foundation
	Equipment	Double Swish Slide	\$ 2,025	The KDK Memorial Foundation
	Premier	Platinum	\$ 10,000	The Askenburg Family
	Premier	Bronze	\$ 500	Ready Real Estate
	Equipment	T Shirt and Sculpture	\$ 1,000	Christopher's Towing
	Premier	Bronze	\$ 500	Chelmsford Mother's Club
In-Kind	Equipment	Garden Wall		Earthscapes
	Equipment	TBD	\$ 2,000	Chelmsford PAL

Upcoming Meeting Topics

- Ongoing Committee Deliverables
 - Roberts Field Maintenance Plan
 - Jim Martin and Steve Callaghan
 - Sample: www.robertsfield.org/wp-content/uploads/2018/07/Chesterhere-Parks-Maintenane-Plan.pdf
 - Natural Play Area Design & Build
 - Gerry Plummer – Sept/Oct
 - Funding & Execution of Master Plan
 - Lobbying for House, No. 4599

8.0 PLAYGROUNDS, PARK FURNISHINGS/AMENITIES, GRAFFITI

Play spaces should be designed and planned to provide a safe and secure area for social play and interaction. Accessibility for persons with disabilities should be created where possible.

The City will maintain an inventory of all playgrounds and play structures in order to provide direction on the preferred style and type of play structures, based on its current inventory and gaps in service.



Maintenance Standards

- Playground inspections (CSA Standards) will be completed and logged on a monthly basis by Parks employees; all repairs will be completed. Faulty equipment will be placed out of use.
- Park furnishings are to be kept clean, painted and functional. An annual maintenance and inspection program will be in place and unsafe furnishings will be taken out of commission or appropriate signage will be posted once staff are notified.
- Unless warranted, waste receptacles will be placed no less than 500 meters apart.
- Under the Community Standards Bylaw applying graffiti is illegal (definition of graffiti: words, figures, letters, drawings or stickers applied, scribed, scratched, etched, sprayed on or attached to public surfaces.
- Property owners must ensure that graffiti placed on their premises is removed, painted over, or otherwise permanently blocked from public view.
- The City of Chestermere will remove offensive graffiti on City owned property within 24 hours of being notified, and non-offensive graffiti will be removed within 7 days.

REVITALIZING ROBERTS FIELD

- Rebuild Friendship Park
- New Athletic Fields / Irrigation System
- Pond Side Shade Pavilion
- Hardscape Play Area by Engine #3
- Parking Lot / Driveway Improvements
- Park Welcome Center
- Pond Dredging
- Safety Cameras

Timeline: 3-5 years
Funding: House, No. 4599
Consolidated Amendment (\$500k)
Sponsorships and Volunteers

Next Meeting Date

- Next Steps: Complete Signage, Natural Play Area Plan and Installation, Maintenance Plan Document
- Next Scheduled Meeting Date: Tuesday, July 24th in Room 205
- August meeting available dates
 - Monday, August 6
 - Thursday, August 9
 - Wednesday, August 15
 - Thursday, August 16
 - Monday, August 20
 - Thursday, August 23
 - Monday, August 27
 - Wednesday, August 29
 - Thursday, August 30

Meeting Minutes Approval

May 2, 2018

May 22, 2018